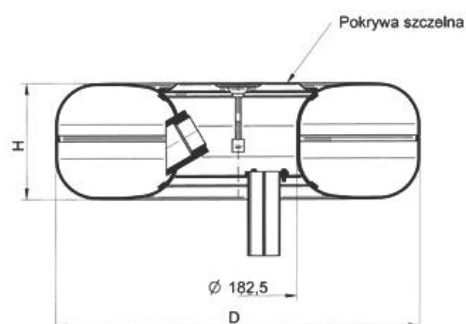


T12

Toroidal LPG tanks with air-tight cover, for multivalves



APPLICATION:

Liquid gas propane-butane mixture storage for admission of petrol engines in passenger cars, commercial and delivery vehicles.

STANDARD TANK:

1. Manufactured according to UN ECE 67R.01
2. Colour satin black RAL 9005

TECHNICAL DATA:

Class 1
Design and test pressure: 3000 kPa
Working pressure: max. 2000 kPa

OPTIONS:

1. Different colour

HOW TO ORDER:

T Diameter Capacity Version

I.E. T52003612

DIMENSIONS:

Part number	Diameter D [mm]	Capacity V [l]	Masas [kg]	Height H [mm]
T52003612	520	36	22,5	225
T56503412	565	34	22	180
T58004012	580	40	23	200
T58004612	580	46	25	225
T60003912	600	39	21,5	190
T60004212	600	42	22	200
T60004712	600	47	23,5	220
T60004912	600	49	24	230
T60005412	600	54	25	250
T60005912	600	59	26	270

STAKO sp.j.
Poznańska 54
76-200 Słupsk
Poland

tel.: +48 59 8424895
fax: +48 59 8481999

stako@stako.pl
www.stako.pl



T63004312	630	43	24	190
T63004712	630	47	25	204
T63005312	630	53	26	225
T63006012	630	60	27	250
T63006512	630	65	30	270
T65005012	650	50	28	200
T65005512	650	55	30	220
T65006112	650	61	32	240
T65007012	650	70	34	270
T72007312	720	73	38	230
T72007712	720	77	39	240
T72008012	720	80	40	250
T72008812	720	88	41,5	270

STAKO sp.j.
Poznańska 54
76-200 Słupsk
Poland

tel.: +48 59 8424895
fax: +48 59 8481999

stako@stako.pl
www.stako.pl

